

WS-M120LED

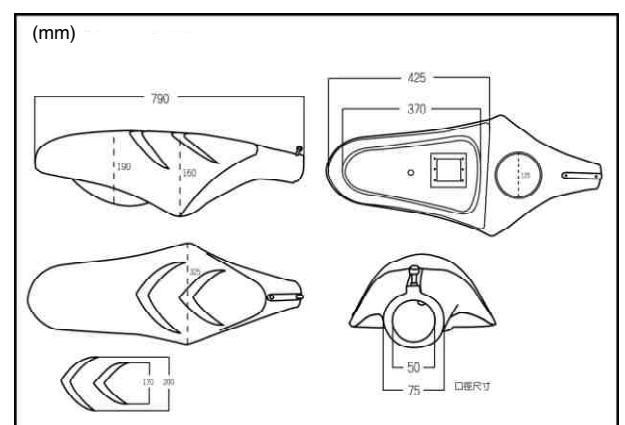


Partner:

TEC IT - TECNOLOGIA, INTELIGÊNCIA E DOMÓTICA, S. A.

Travessa Cabo do Mundo, 681 | 4455-427 PERAFITA MATOSINHOS | PORTUGAL
 Telef. +351 229 999 230 Fax. +351 229 999 249 | email: domotica@jgdomotica.com | www.jgdomotica.com

Item	Features
Model	WS-M120 LED
Light Source Specification	Adapted Power: 120W polycrystalline
Light Angle	120° or as required
Energy Consumption	110V / 1.12A ~220V / 0.59A.
Voltage	AC 100 ~240 47Hz ~63Hz FCC and CE security approval
Colour temperature	Cool White 5,500K ~ 6,300K Neutral White 5,000K ~ 5,600K Warm White 2,800K ~ 3,200K
Operating temperature	-35° ~50° C.
Operating temperature facing environment temperature	55° in function to an environment temperature of 25°
Environment Humidity	Capability 80+/-5 (out door humidity 100%)
Lamp Material	Light Material: Al+ special cooling material; Rigid and resistant glass: SGS tests for fixture with non-toxic ingredients paint according the EU ROHS rules.
Weight	About 9,5 kg.
Dimensions	790mm x 325mm x 190mm. Fitting diameter 50mm
Efficiency	Cool White 60~65lm/W Neutral White 55~50lm/W Warm white 45~40lm/W
Certifications	CE, ROHS, IP 65, UL, 3C, CB, CNS, ISO9001
Lighted Area	8m ~ 9m
Recommended Height	28m ~30m
Vibrations Tests	SGS tests: vibration frequency, 50-500Hz, random waves XYZ axis; This LED is know as the only one passed in this high vibrations tests.
Heat Dissipation Method	Dissipation technology included, doesn't need extra ventilation.
LED's life time	More than 50.000 hs.

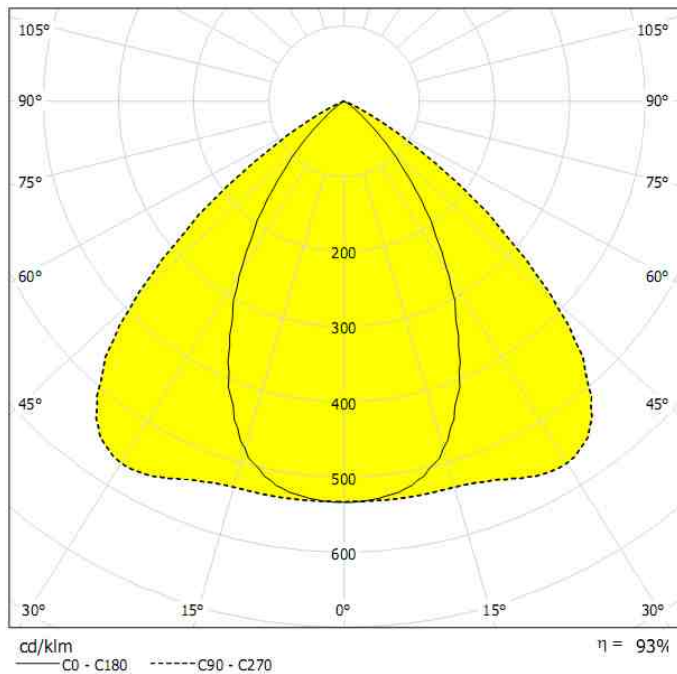
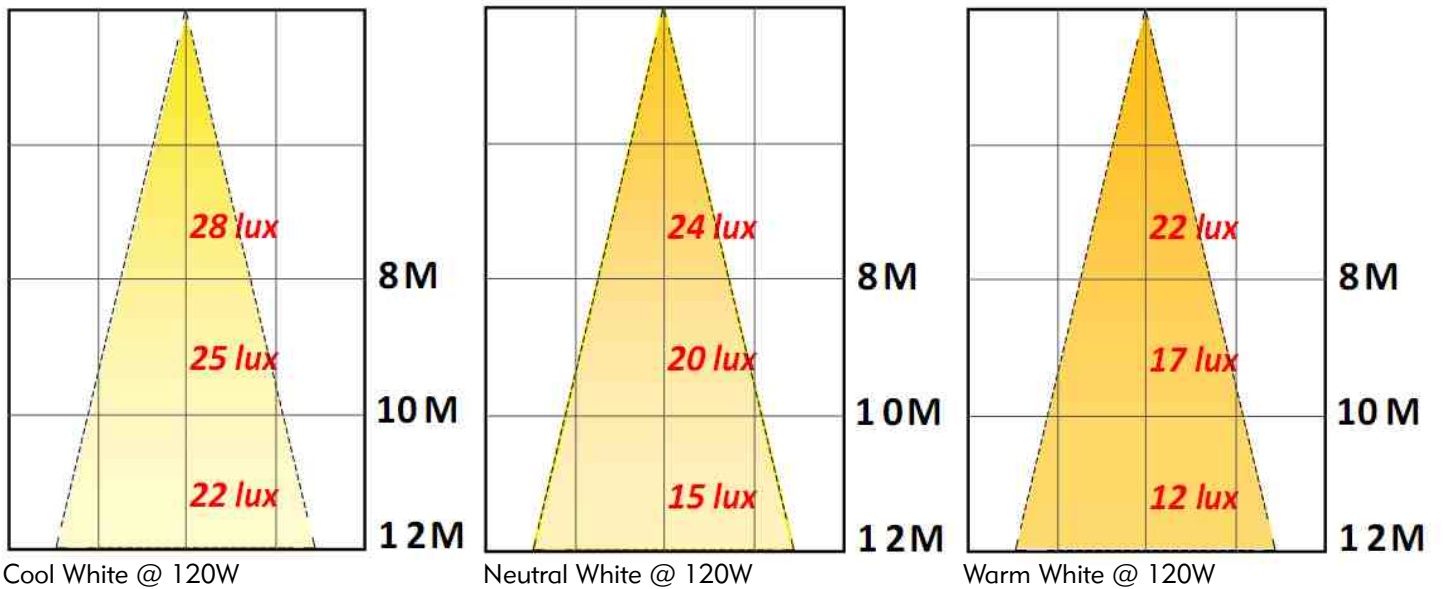


Luminous Flux Characteristics

The following table describes flux os Wanstar series emitters:

Colour	Flux (typ.)	Units
Cool White	8400	lm
Neutral White	6720	lm
Warm White	5880	lm

Luminance



TEC IT it's proud to announce this products representation in: Europe; USA; South Africa; Russia; Dubai; Egypt; Qatar; Angola; Mozambique; South America.

LED